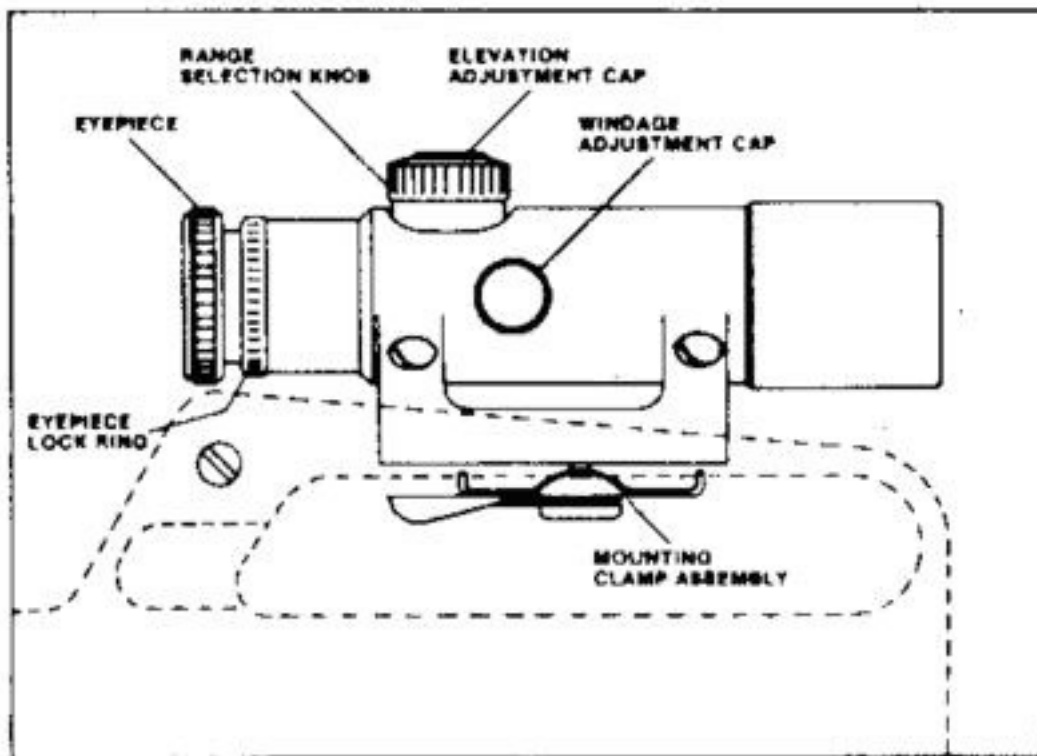




## THE COLT AR 15 SPORTER RIFLE SCOPES 3X AND 4X.



### MOUNTING INSTRUCTIONS

Wipe mounting groove in carrying handle of your AR-15 Rifle to remove dust, excess grease and oil. Remove mounting clamp assembly from scope. Put scope in position in handle mounting groove of rifle, dropping the protruding stud on scope mount through the hole in the bottom of the handle groove. Replace mounting clamp assembly on stud and tighten until thread appears to bottom out. Then back off to engage detent. As two detent positions are provided, locking handle of the clamp assembly may point to either the muzzle or butt end of the rifle.

## **FOCUS FOR INDIVIDUAL VISION**

Your scope is equipped with an adjustable eyepiece that permits the scope to be focused to your eye. To focus scope for your individual vision, loosen eyepiece lock ring and from a rest position, sight the scope on a blank wall. Turn eyepiece to the left until the reticle appears blurred. **DO NOT ATTEMPT TO REMOVE EYEPIECE OR OVERCOME RESISTANCE OFFERED BY SEAL LOCK.** (This will destroy the factory seal and void your warranty.) Now turn the eyepiece to the right until the reticle is clear and sharp. **STOP.** The tendency is to screw the eyepiece in too far which may impair optical quality and cause eye strain. Lock eyepiece in position by tightening lock ring.

## **WINDAGE AND ELEVATION ADJUSTMENTS**

Remove the protective caps from the windage and elevation adjustments. You will note the adjustment screws have slots that will enable you to make adjustments using the rim of a cartridge as a tool.

As indicated on the adjustment screw heads, turning the elevation adjustment screw to the left moves the point of bullet impact up and turning the windage adjustment screw to the right moves the point of bullet impact to the left. Both elevation and windage adjustment screws are graduated to 1° of arc. Turning the adjustment screws one graduation will move the point of bullet impact 1" when the rifle is fired at 100 yards.

## SIGHTING-IN

After rechecking your scope for correct focus and mounting, the following sighting-in procedure should be adhered to where possible.

Set the range selection knob to the setting corresponding to the range at which the rifle is to be fired (preferably 100 yards).

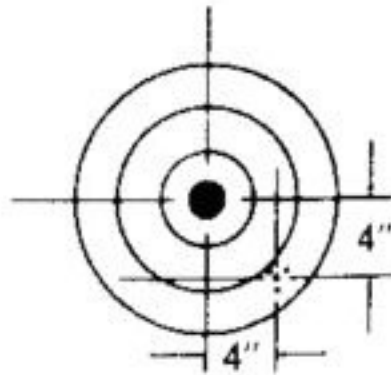
At this point several shots may be saved by bore sighting the rifle. Remove the bolt from your rifle and from a rest position, sight through the bore at an object at about mid-range. Adjust the scope elevation and windage adjustments until the cross-hairs are on target.

**CAUTION:** Do not, at any time during the sighting-in procedure, move the range selection knob from the setting corresponding to the range at which the rifle is to be zeroed-in.

You are now ready to zero your rifle. Using a rest under the forearm (not the barrel), hold the sight exactly on target and fire a group of three shots.

Corrections can now be made with elevation and windage adjustment screws to bring the bullet group to the center of the target.

**EXAMPLE** (See sketch): You have fired a three shot group at 100 yards as shown below. At this distance, each full graduation movement of the adjustment screw will move the point of bullet impact 1" on the target. Since the grouping is 4" to the right and 4" below center, you would adjust for elevation by turning the elevation adjustment screw 4 graduations to the left in the direction of the arrow. Then adjust the windage by turning the windage adjustment screw 4 graduations to the right in the direction of the arrow. One or more additional groups may be required.



## **MAINTENANCE**

Your rifle scope requires practically no maintenance. The tube and mount should be kept free of dirt and occasionally wiped with a clean dry cloth. The eyepiece, all adjustments and the outside lenses are sealed, making your scope completely weather-proof. If lenses become dusty or finger-printed, do not rub with a cloth or paper. Use lens cleaner fluid or lens tissue and clean from the center to the outside with a circular motion. Do not use silicone treated lens tissue. **DO NOT ATTEMPT ANY DISASSEMBLY OF THE SCOPE.**

## **PARALLAX**

Your scope has been factory adjusted to be free of parallax at 200 yards and requires no further adjustment. If your scope is damaged, disturbing the parallax setting, it must be repaired by the factory.

## **WARRANTY STATEMENT**

Based on Magnuson-Moss Warranty Act, Colt offers no express warranty on its product line. However, Colt recognizes its obligations concerning implied warranty. Colt also stands behind its product as it has historically, and will continue to provide service to its product line as it has over the years. Colt products will be serviced for a period of one year from date of retail purchase, for defects in materials or workmanship, at no charge to the purchaser. Be sure to retain your sales slip as proof of purchase date when making a claim.

**Colt**  
Firearms Division

**Colt Industries**



Part No. 91772  
Rev. A Jan. 82